



POWERRIDE 2000+

Product Code: LTEPKPL201150

The Lifter PowerRide 2000+ is the perfect tool to use in large warehouses handling long-distance tasks easily, such as in logistics and distribution centres. It is the ideal tool for heavy duties and long-distance transportation.

The Lifter PowerRide 2000+ provides great driving comfort and high performance to load 2 tons of cargo with a fast-driving speed up to 10 km/h. It guarantees operation safety with a great function that allows it to automatically decrease the steering speed.

POWERRIDE 2000+ QUICK SPECS :
Weight = 765 kg / Capacity = 2000 kg :
685 mm x 1150 mm - OTHER FORK SIZES AVAILABLE

KEY FEATURES

- ✓ Reliable drive system with high performance and stable operation High
- ✓ strength vertical gear box with good durability
- ✓ Operation safety assurance
- ✓ Easy operation with easy-trigger pedal and side leaning driving mode

POWERRIDE 2000+

Product Code: LTEPKPL201150

■ Reliable drive system

The KPL201 offers great performance and operation stability due to its reliable drive system with a driving speed of 10km/h and precise controlling.



■ Good durability

The KPL201 adopts high strength vertical gear box to extend its working life.



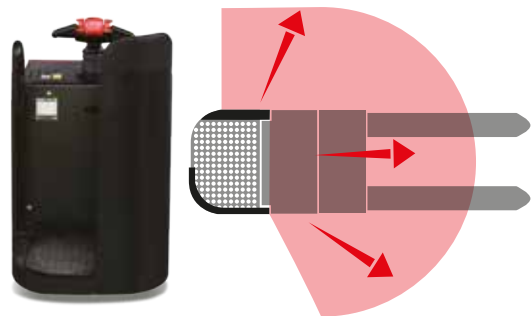
■ Operation safety assurance

The KPL201 protective steel supports ensure operation safety even at a high speed and includes an automatic speed decreasing function when steering.



■ Easy operation

The easy-triggered pedal provides KPL201 with great driving comfort. It offers good visibility for the operator to lean in against the protective steel shell.



POWERRIDE 2000+

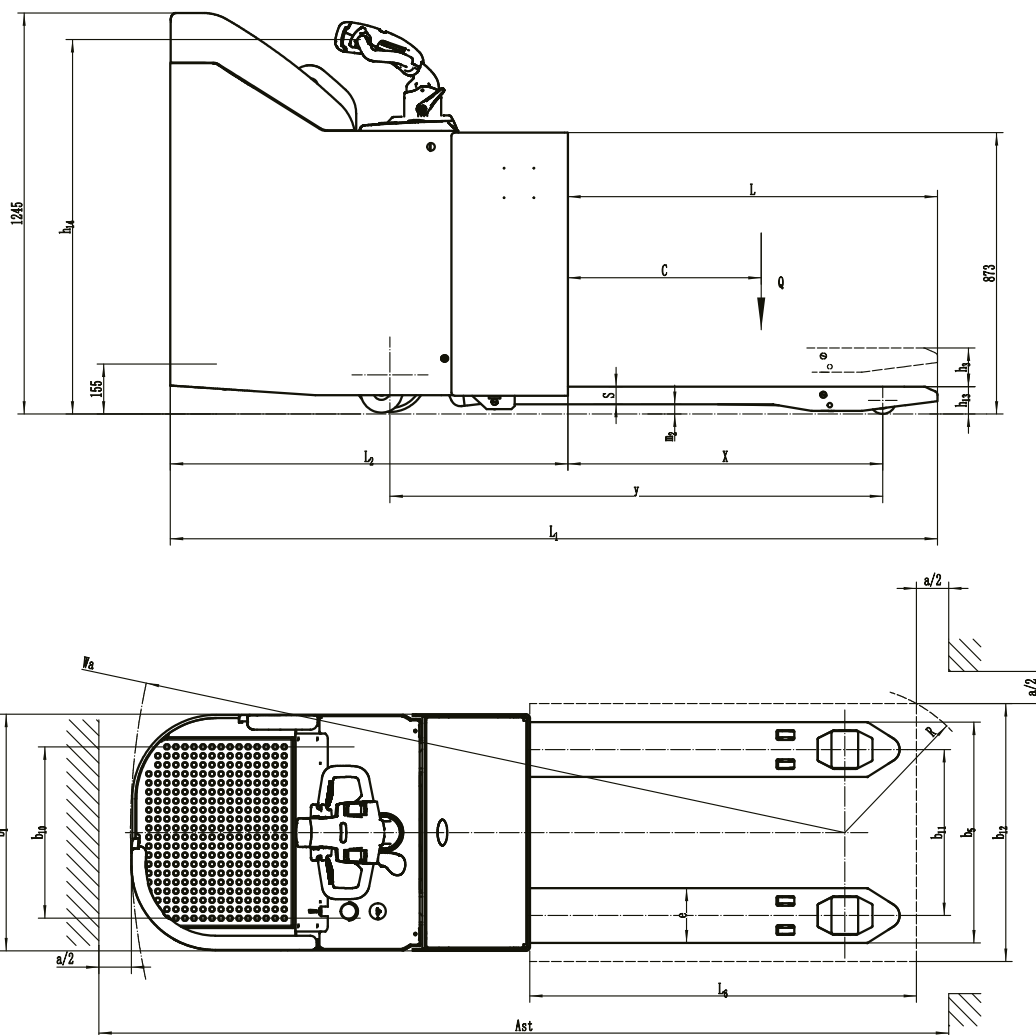
Product Code: LTEPKPL201150

			Liftek	Liftek
			LTEPKPL201150 (Lithium Ion)	LTEPKPL201150 (Acid Battery)
Distinguishing mark	1.1	Manufacturer		
	1.2	Model designation		
	1.3	Drive	Electric	Electric
	1.4	Operator type	Standing	Standing
	1.5	Load capacity	Q	kg
	1.6	Load center distance	c	mm
	1.8	Load distance, centre of drive axle to fork	x	mm
	1.9	Wheelbase	y	mm
	1.5	Load capacity		2000
Service weight	2.1	Service weight		kg
	2.2	Axle loading, laden front/rear		kg
	2.3	Axle loading, unladen front/rear		kg
Tyres/chassis	3.1	Tyre type		
	3.2.1	Tyre size, front		mm
	3.3.1	Tyre size, rear		mm
	3.4	Additional wheels (castor wheels)		mm
	3.5	Wheels, number front/rear (x=drive wheels)		mm
	3.6.1	Tread width, front	b10	mm
	3.7.1	Tread width, rear	b11	mm
Dimensions	4.4	Lift height	h3	mm
	4.9	Height of tiller handle in drive position min./max.	h14	mm
	4.15	Lowered height	h13	mm
	4.19	Overall length	l1	mm
	4.20	Length to face of forks	l2	mm
	4.21	Overall width	b1/b2	mm
	4.22	Fork dimensions	s/e/l	mm
	4.25	Distance between fork-arms	b5	mm
	4.32	Ground clearance, center of wheelbase	m2	mm
	4.34.1	Aisle width for pallets 1000×1200 crossways	Ast	mm
	4.34.2	Aisle width for pallets 800×1200 crossways	Ast	mm
Performance data	4.35	Turning radius	Wa	mm
	5.1	Travel speed, laden/unladen		km/h
	5.2	Lifting speed, laden/unladen		m/s
	5.3	Lowering speed, laden/unladen		m/s
	5.8	Max. gradeability, laden/unladen		%
	5.10	Service brake		
Electric-engine	5.1	Travel speed, laden/unladen		8.5 / 10.0
	5.2	Lifting speed, laden/unladen		0.051 / 0.060
	5.3	Lowering speed, laden/unladen		0.032 / 0.039
	5.8	Max. gradeability, laden/unladen		6 / 16
	5.10	Service brake		Electromagnetic
Addition data	6.1	Drive motor rating S2 60 min		kW
	6.2	Lift motor rating at S3 15%		kW
	6.4	Battery voltage/nominal capacity		V/Ah
	6.5	Battery weight		kg
	8.1	Type of drive control		
Addition data	6.1	Drive motor rating S2 60 min		1.6
	6.2	Lift motor rating at S3 15%		2.2
6.4	Battery voltage/nominal capacity		24 / 205	24 / 280
6.5	Battery weight		62	255
8.1	Type of drive control		AC	AC
10.5	Steering design		Electronic	Electronic
10.7	Sound pressure level at the driver's ear			
			dB(A)	74
				74

If there are improvements of technical parameters or configurations, no further notice will be given. The diagram shown may contain non-standard configurations.

POWERRIDE 2000+

Product Code: LTEPKPL201150



Option

No.	Optional items	LTEPKPL201150
1.1	Fork length	●1150/1220○850/1000/1300/1450/1600/1800 /2000/2200/2400
1.2	Fork width	●540/685○600/790/840/940/1000/1050 /1100/1200
1.3	Fork lowered height	●85
1.4	Fork carriage width	○750
1.5	Fork carriage height	○1220mm (48in) ○1520mm (60in)
2.1	Load wheel type	●Double○Single
2.2	Load wheel material	●PU
2.3	Drive wheel material	●PU○Trace PU○Rubber
2.7	Battery capacity	●205Ah (Li-Ion truck) ●280Ah (lead-acid truck) ○210Ah/345Ah (lead-acid truck)
2.8	Charger	●24V-100Aexternal charger (205Ah) ●24V-30Aexternal charger (210/280Ah) ○24V-50Aexternal charger (345Ah)
2.9	Battery indicator	●With time
3.3	Castor wheels	●Castor wheels
3.4	Water auto-filling system	○Water auto-filling system
4.1	Battery side pull function	○Battery side pull function (only for lead-acid truck)

Note: ●Standard ○ Optional - Inconformity

POWERRIDE 2000+

Product Code: LTEPKPL201150

Fork length(mm)	Load capacity(kg)
	LTEPKPL201150
850	2000kg
1000	
1150	
1220	
1300	
1450	
1600	
1800	1800kg
2000	
2200	1600kg
2400	

Application Scenario

